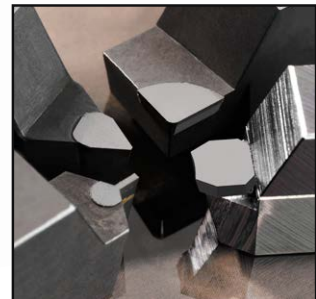
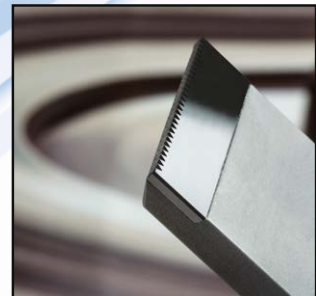
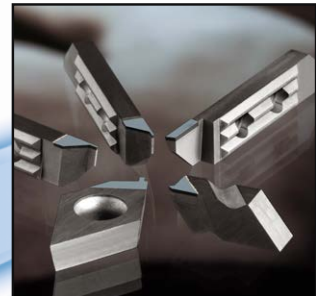


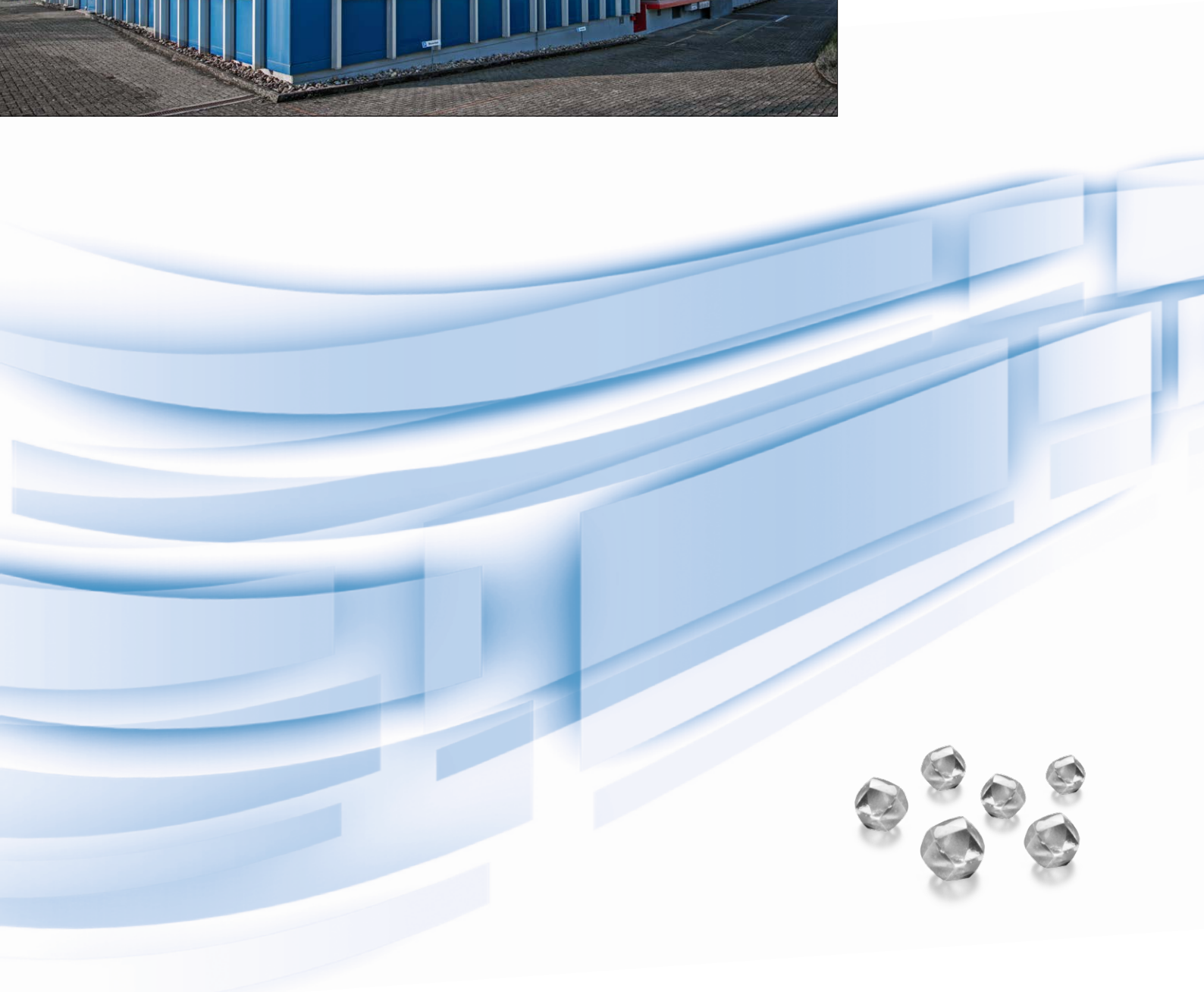


**WIRZ
DIAMANT**

Swiss
diamond tools

PCD





Wirz Diamant Ltd.

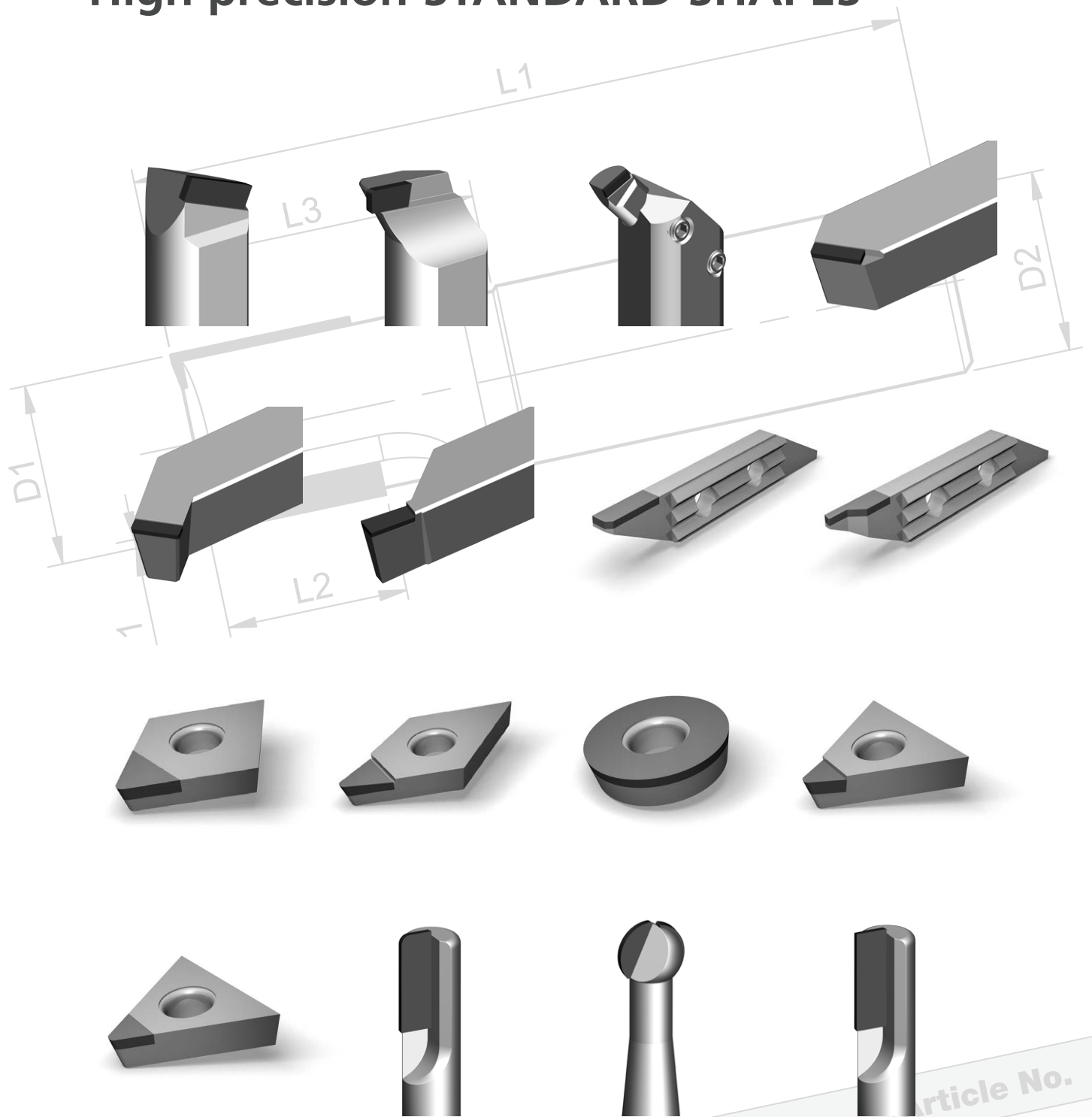
Wirz Diamant Ltd was originally founded in 1918.

Beside the manufacturing of diamond tools for metal turning and milling, we are specialized in the production of polycrystalline diamond tools as well as in wheel dressing diamonds.

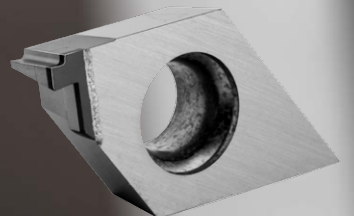
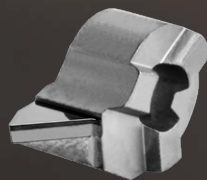
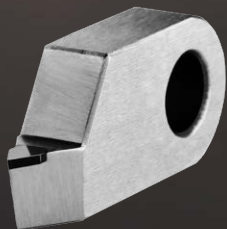
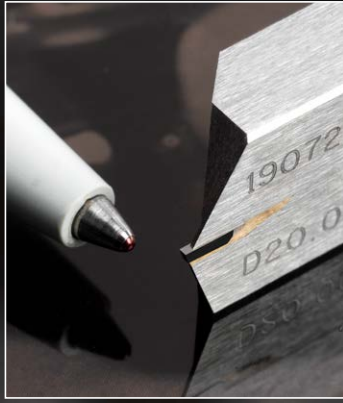
We are a leading supplier to the Swiss Watch and Precision Engineering Industry. Our expertise acquired over decades and the most modern manufacturing equipment guarantee for best quality products and an efficient customer service.



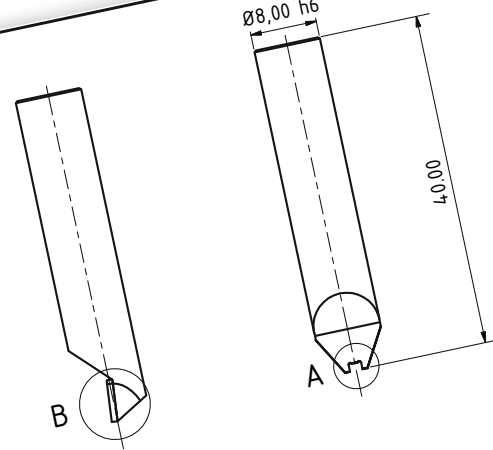
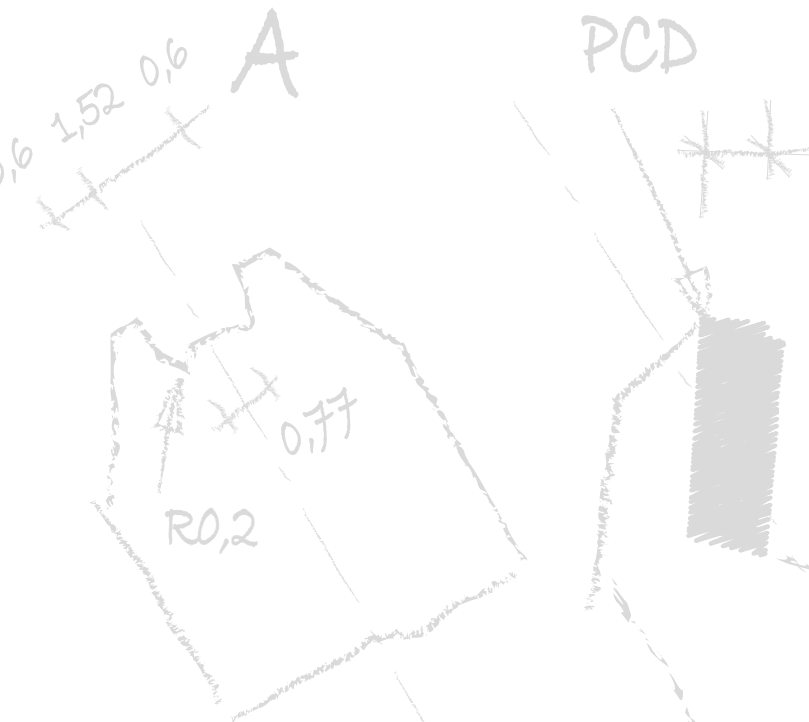
High precision STANDARD SHAPES



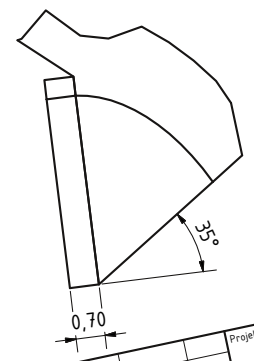
$\emptyset D1 \pm 0.02$	L1	L2	L3	Article No.
6	60	6	15	300.20.01135
8	65	8	20	300.20.01136
10	70	10	25	300.20.01137




High precision SPECIAL SHAPES

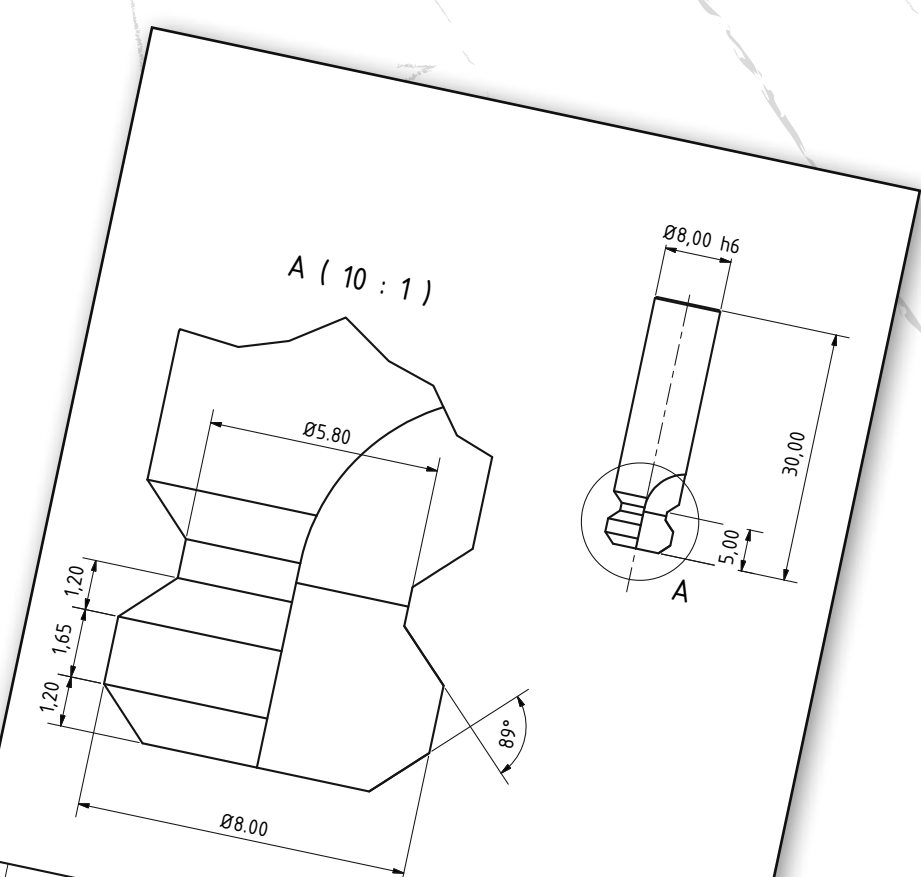


B (10 : 1)




Status	Änderungen	Datum	Name	Gezeichnet	Datum	Name
					04.04.2016	MLE
Projekt:				Kontrolliert		
				Massstab:	2 : 1	
				Ers. für:		
				Ers. durch:		


WIRZ DIAMANT
 Tel. +41 (0)32 481 44 22 www.wirzdiament.ch
 Fax. +41 (0)32 481 44 21 info@wirzdiament.ch



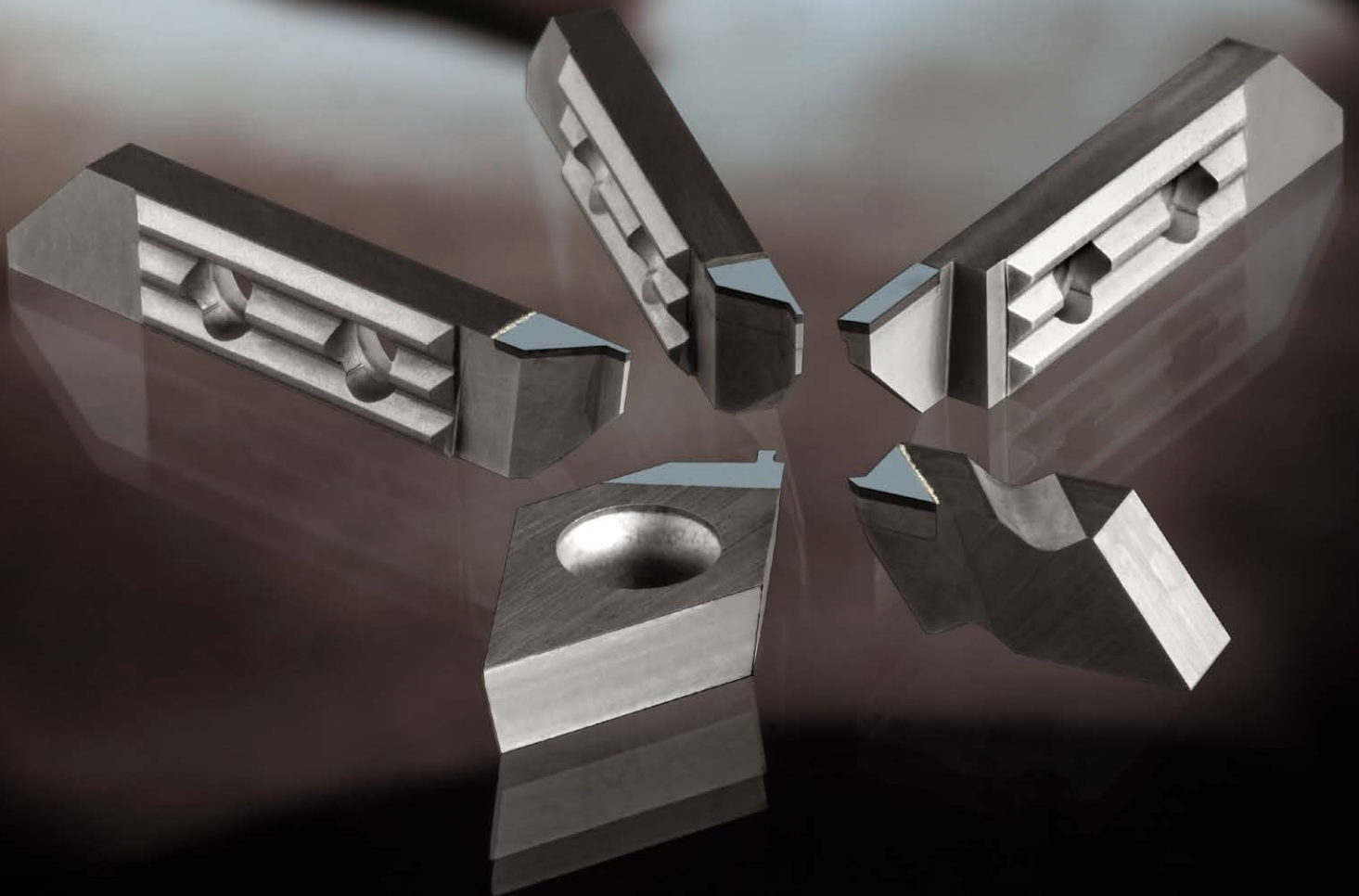
Änderungen	Datum	Name	Gezeichnet	Datum	Name
				04.04.2016	MLE
Projekt:			Kontrolliert		
			Massstab:	2 : 1	
			Ers. für:		
			Ers. durch:		


WIRZ DIAMANT
 Tel. +41 (0)32 481 44 22 www.wirzdiament.ch
 Fax. +41 (0)32 481 44 21 info@wirzdiament.ch

Material: HM + PCD
Gewicht:
Zulieferer:



Ø8h6





**WIRZ
DIAMANT**

www.wirzdiamant.ch

WIRZ DIAMANT Ltd.
Customer service
P.O. Box, CH-2501 Biel/Bienne
Tel. +41 32 481 44 22
Fax. +41 32 481 44 21
eMail: info@wirzdiamant.ch

Factory
Mattenstrasse 11, CH-2555 Brugg

